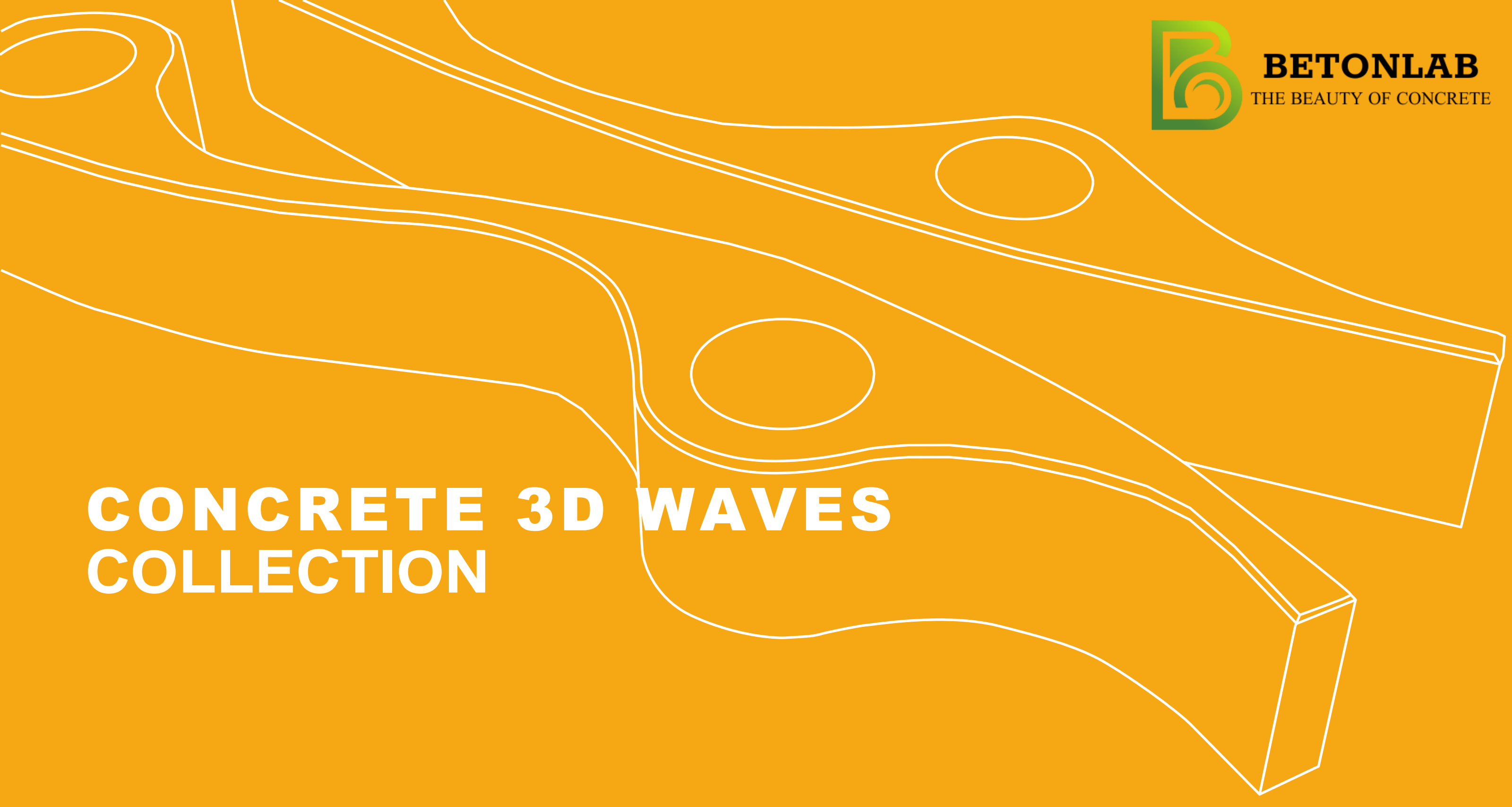




BETONLAB
THE BEAUTY OF CONCRETE

CONCRETE 3D WAVES COLLECTION



CONCRETE 3D WAVES COLLECTION

Inspired by brain waves, the 3D Waves collection was born, which, due to its organic and curvilinear shapes, generates fluidity and continuity in the design..



GAMMA
REFERENCE



DELTA
REFERENCE

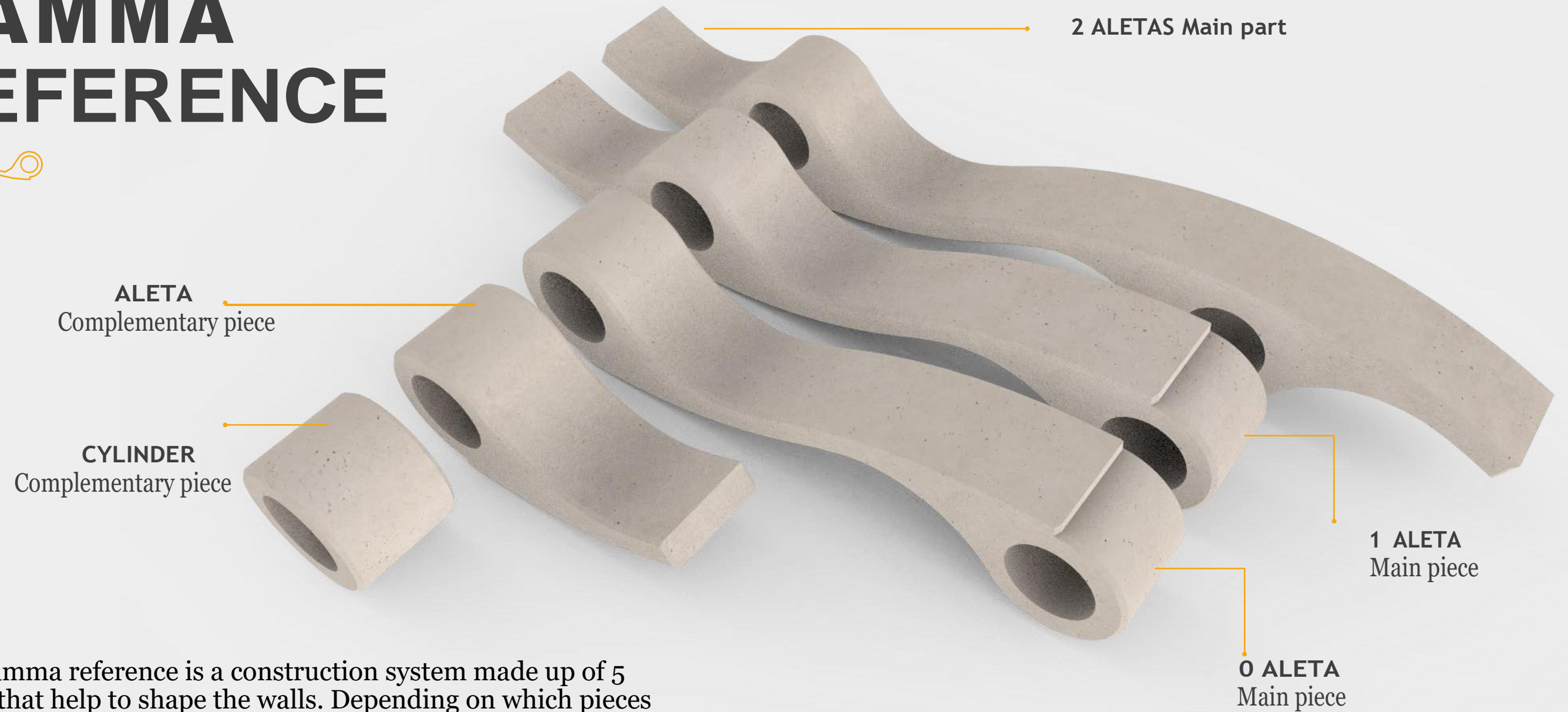


GAMMA REFERENCE

The high frequency of the Gamma waves establishes the parameters for the design of the pieces. A fairly pronounced curvature that blends in with its surroundings.

CONCRETE 3D WAVES COLLECTION

GAMMA REFERENCE



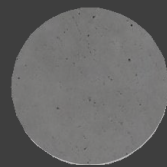
The Gamma reference is a construction system made up of 5 pieces that help to shape the walls. Depending on which pieces are used to build the wall, it may have more or less opening percentage.

CONCRETE 3D WAVES COLLECTION
DELTA REFERENCE

SYSTEM COMPONENTS

The pieces are made of high-strength concrete and its smooth finish gives a differential aesthetic added value. In addition to the variety of colors that we offer, we can adjust to new shades according to the client's needs..

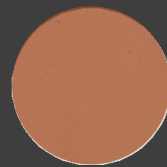
Our primary color palette is:



Graphite gray

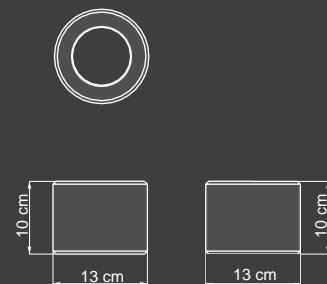


Ivory White

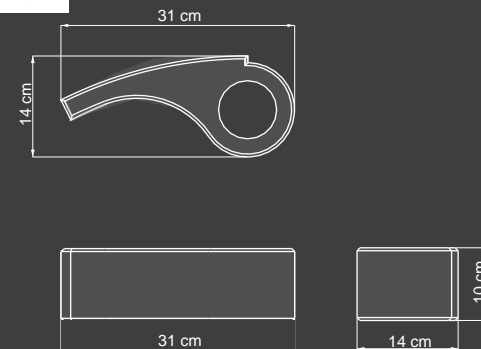


Ocher Brown

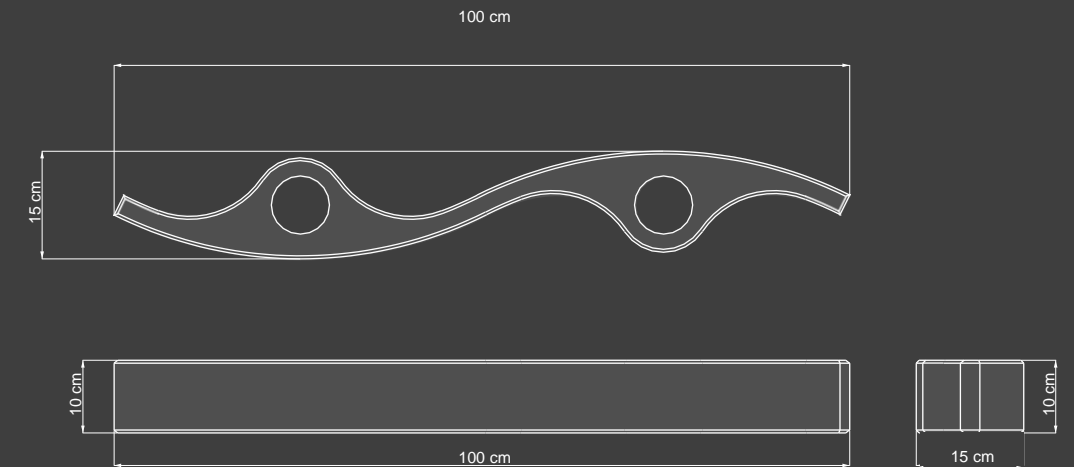
CYLINDER (Complement)



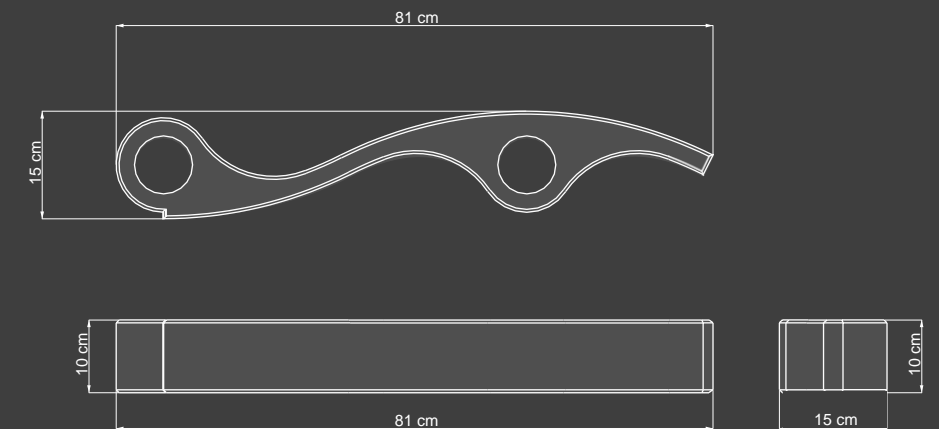
ALETA (Complement)



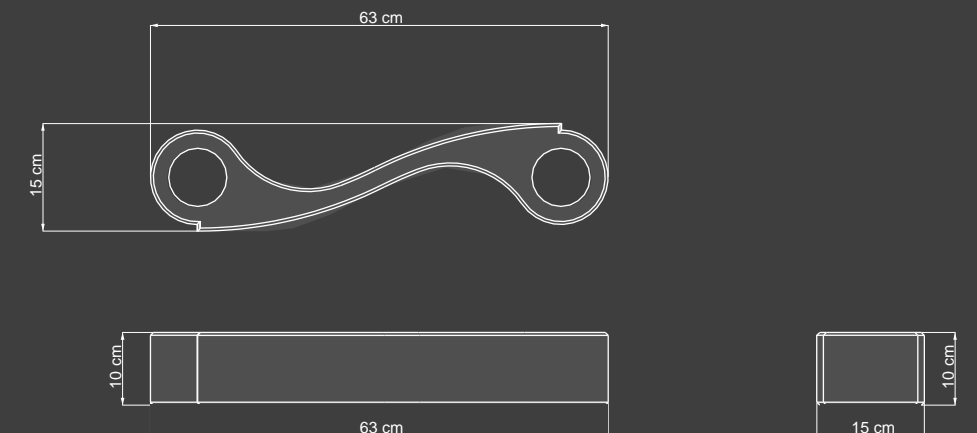
2 ALETAS (Main piece)



1 ALETAS (Main piece)



0 ALETAS (Main piece)



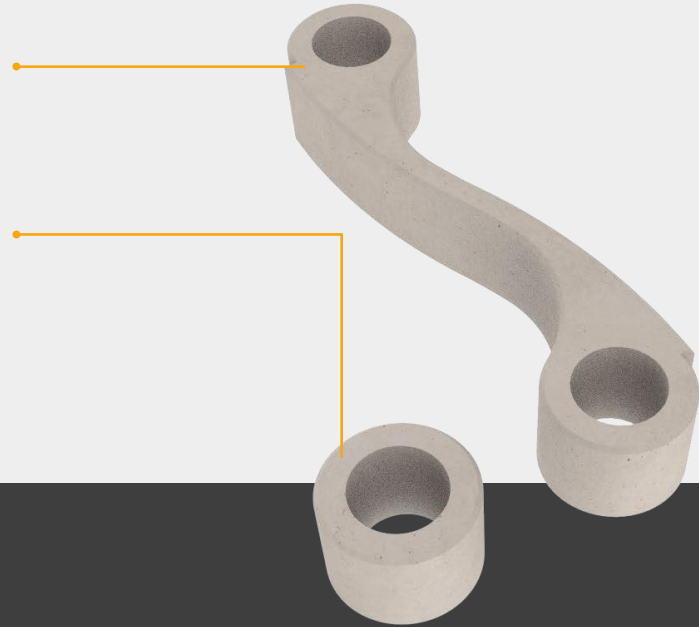
CONCRETE 3D WAVES COLLECTION / GAMMA REFERENCE

EXAMPLES OF MODULATIONS



0 ALETAS
(Main piece)

CYLINDER
(Complementary piece)

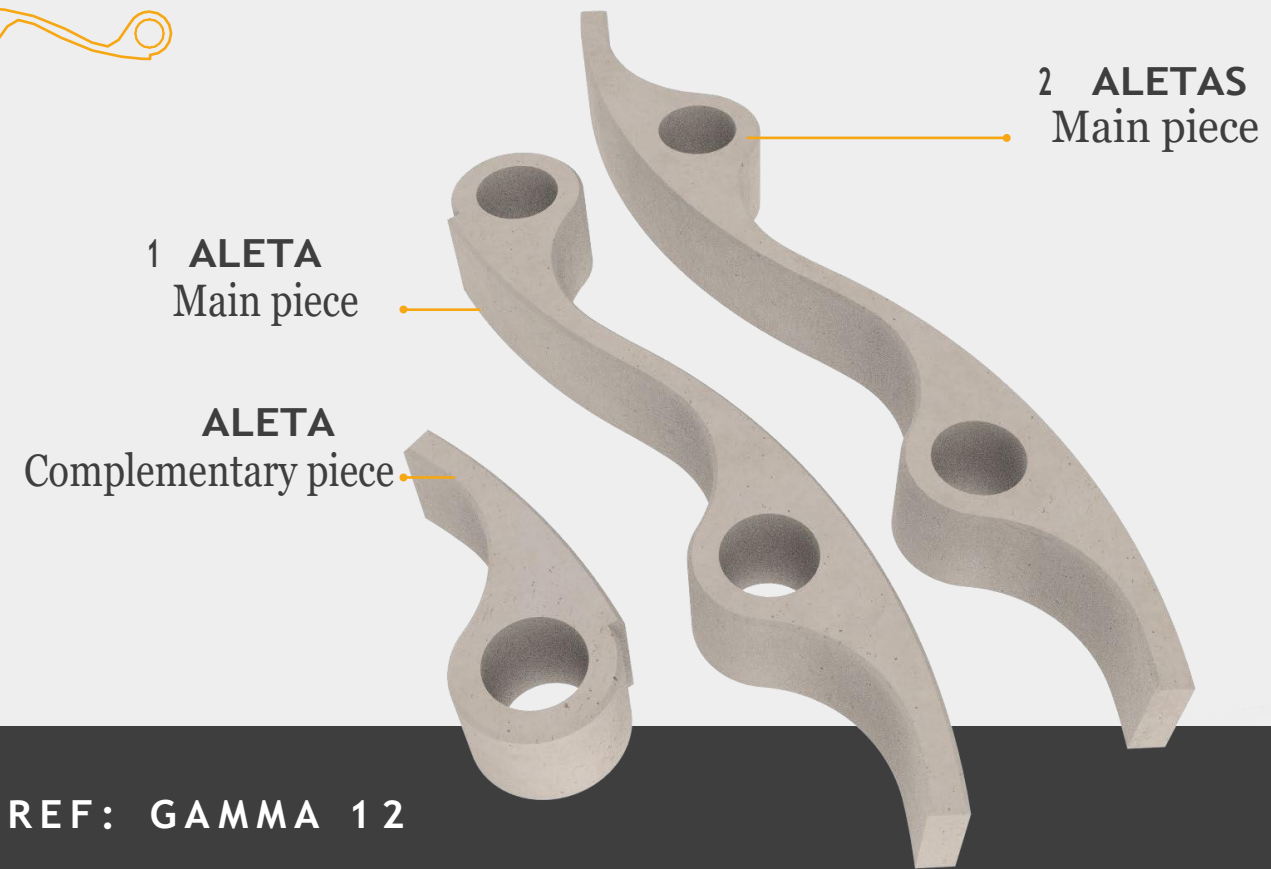


REF: GAMMA 1



CONCRETE 3D WAVES COLLECTION / GAMMA REFERENCE

EXAMPLES OF MODULATIONS

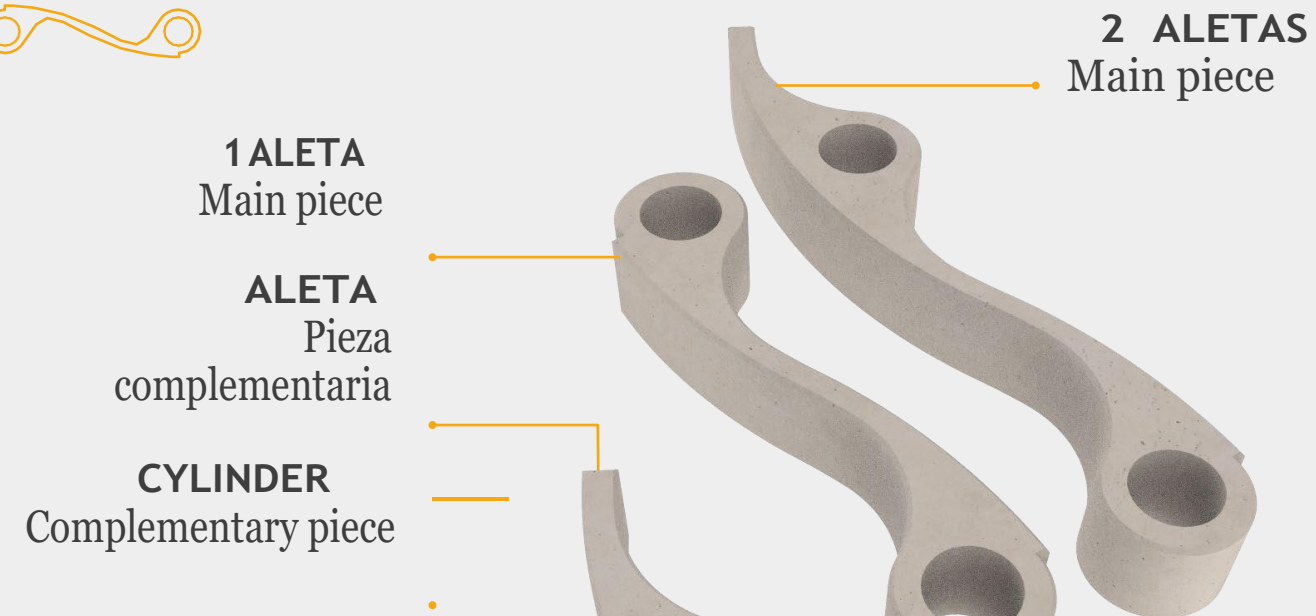


REF: GAMMA 12



CONCRETE 3D WAVES COLLECTION / GAMMA REFERENCE

EXAMPLES OF MODULATIONS



REF: GAMMA 9



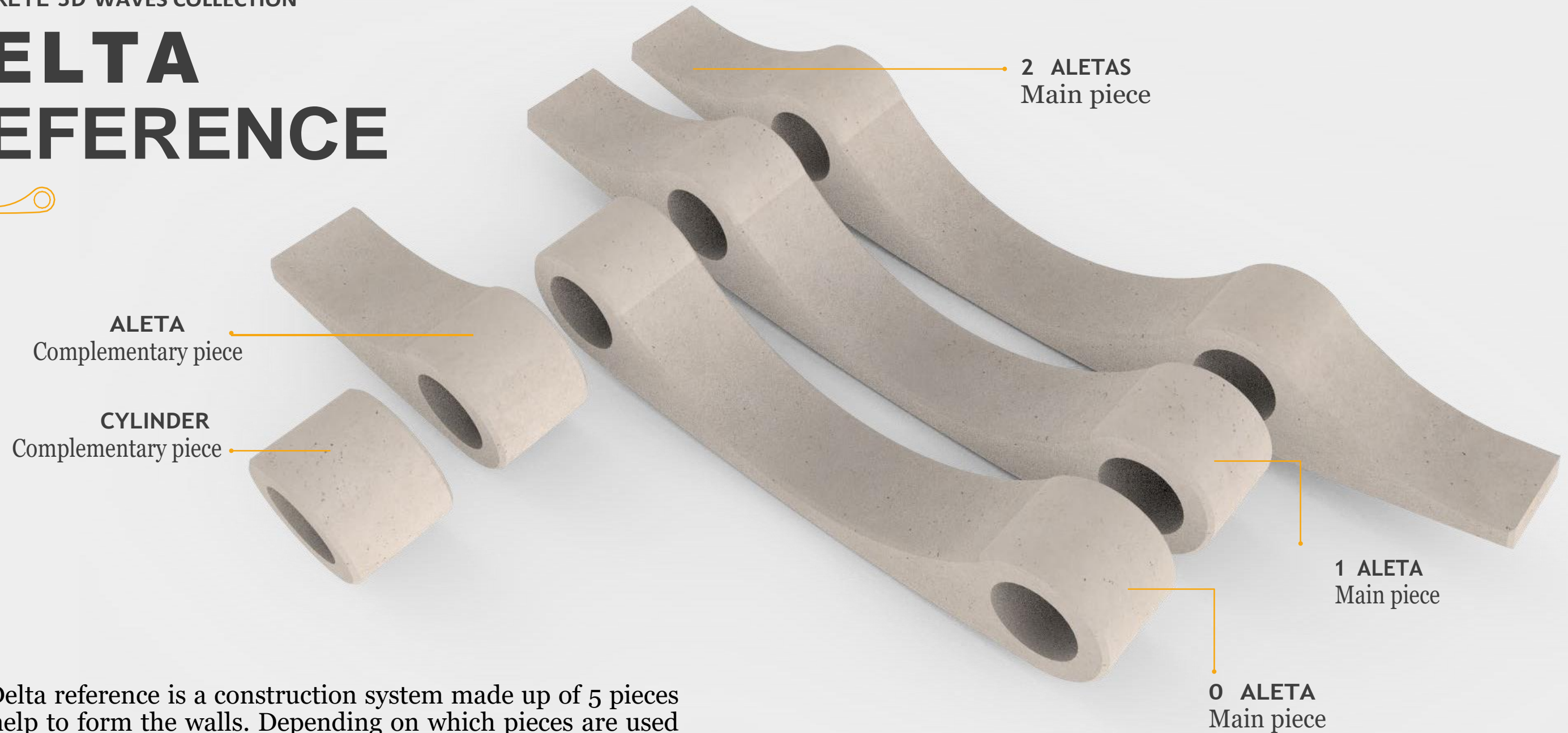


DELTA REFERENCE

A smooth curve typical of Delta waves manages to adapt to any type of project due to its simplicity.

CONCRETE 3D WAVES COLLECTION

DELTA REFERENCE



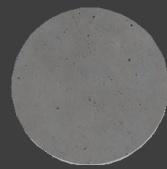
The Delta reference is a construction system made up of 5 pieces that help to form the walls. Depending on which pieces are used to build the wall, it may have more or less opening percentage.

CONCRETE 3D WAVES COLLECTION
DELTA REFERENCE

SYSTEM COMPONENTS

The pieces are made of high-strength concrete and its smooth finish gives a differential aesthetic added value. In addition to the variety of colors that we offer, we can adjust to new shades according to the client's needs..

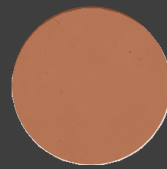
Our primary color palette is:



Graphite gray

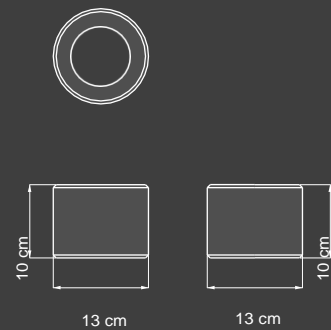


Ivory White

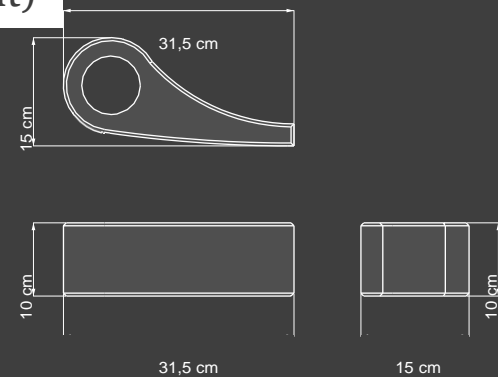


Ocher Brown

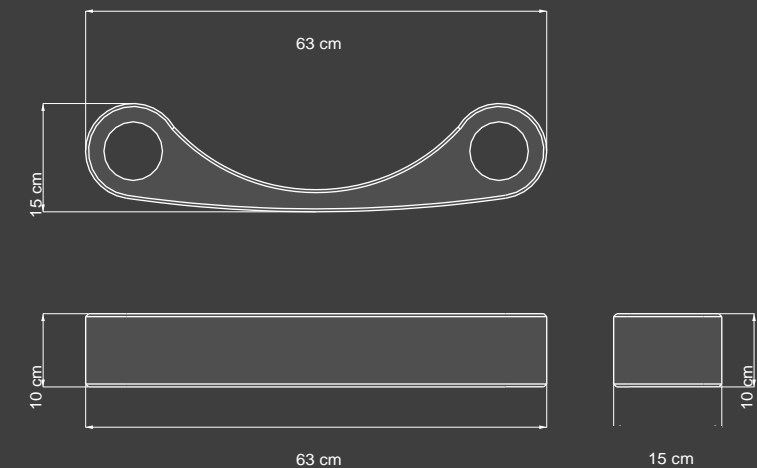
CYLINDER (Complement)



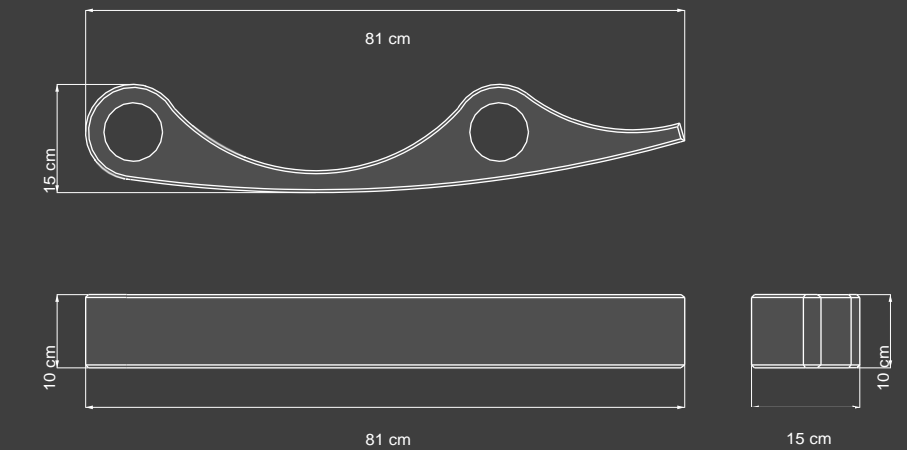
ALETA (Complement)



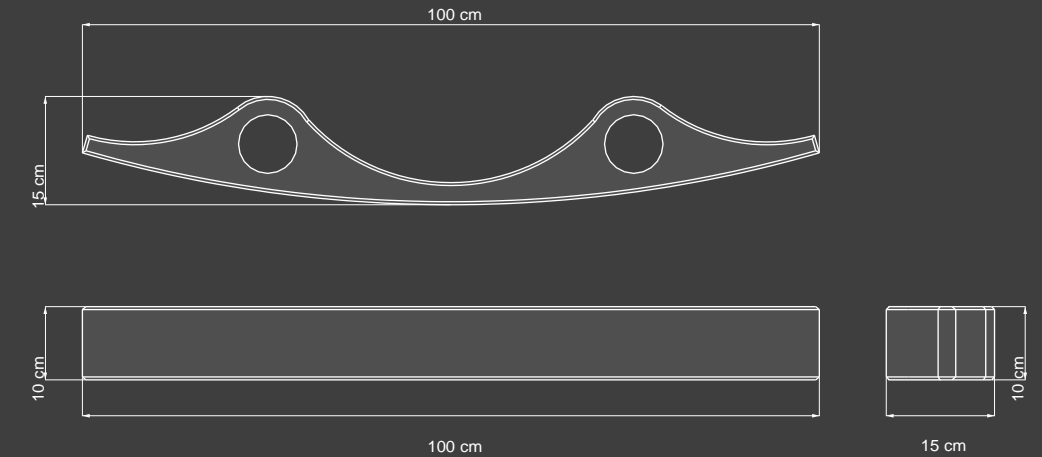
0 ALETAS (Main piece)



1 ALETA (Main piece)



2 ALETAS (Pieza principal)



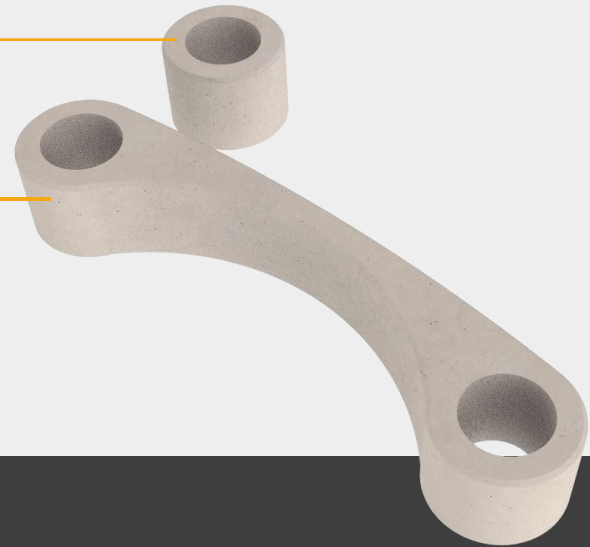
CONCRETE 3D WAVES COLLECTION / DELTA REFERENCE

EXAMPLES OF MODULATIONS



CYLINDER
Complementary piece

0 ALETAS
Main piece



REF: DELTA 2



CONCRETE 3D WAVES COLLECTION / DELTA REFERENCE

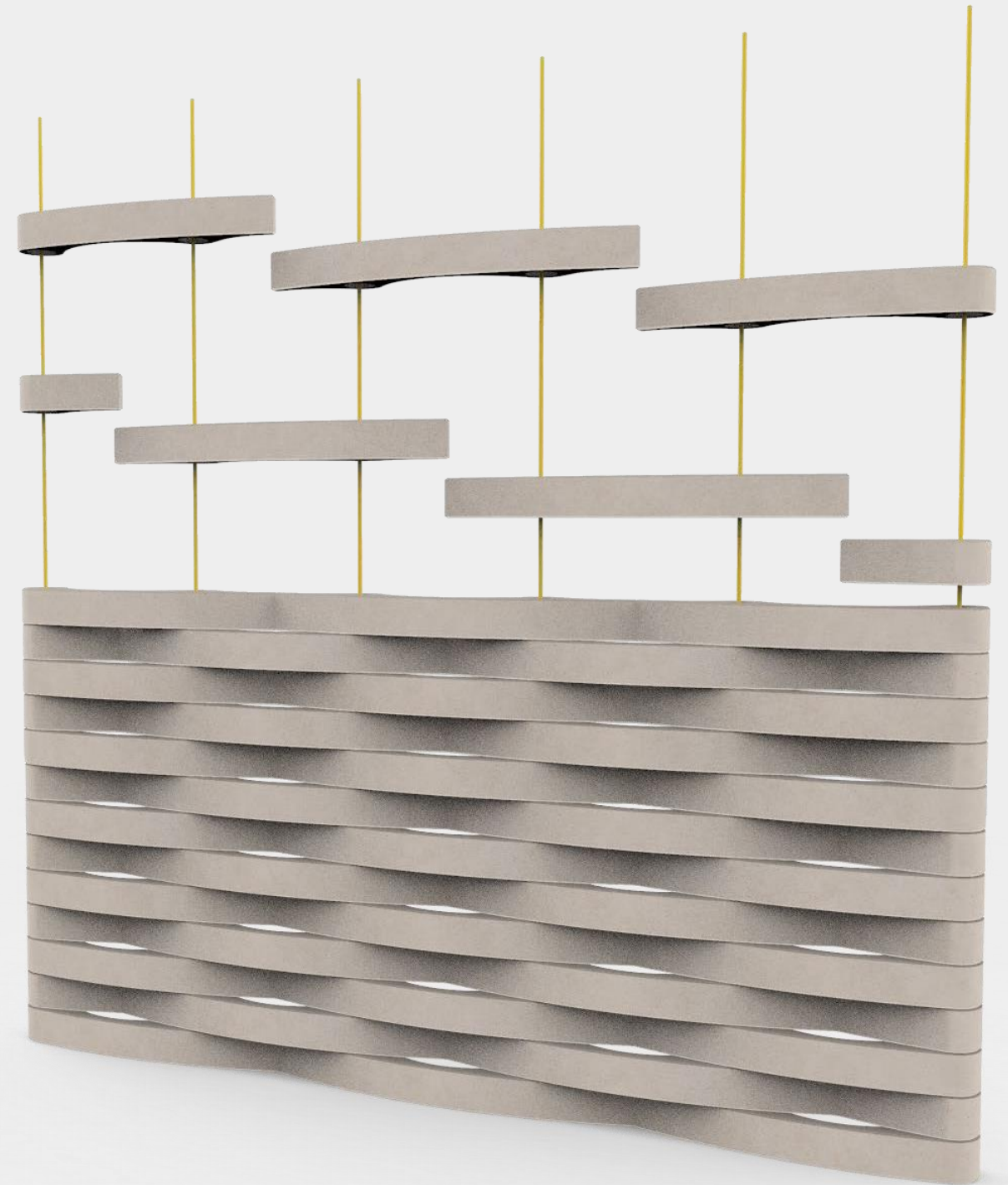
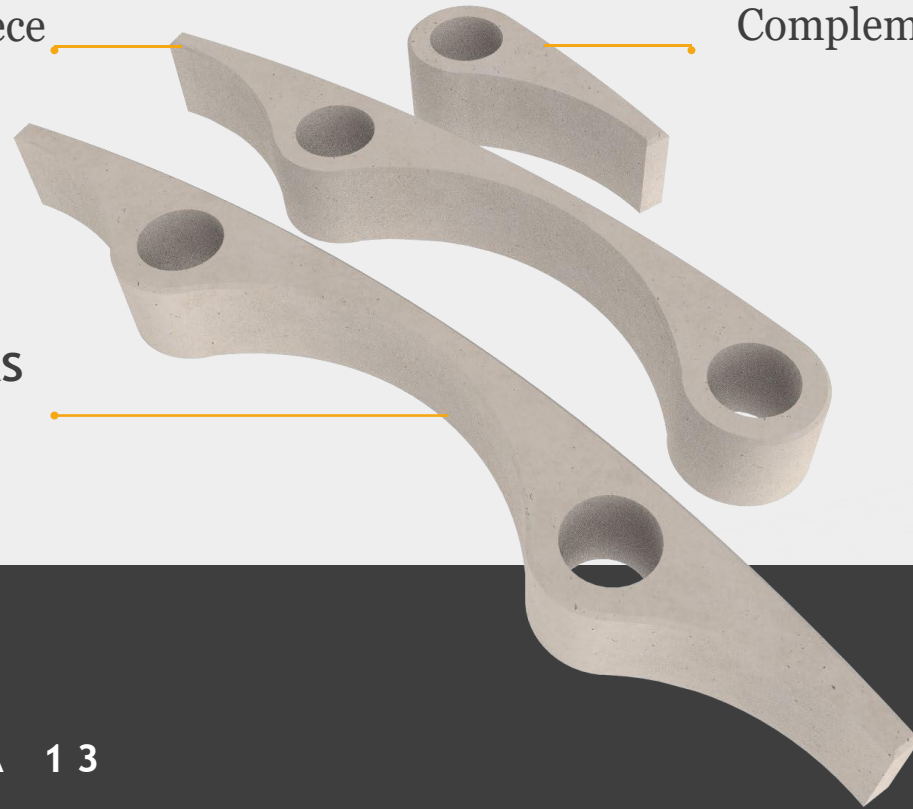
EXAMPLES OF MODULATIONS



1 ALETA
Main piece

ALETA
Complementary piece

2 ALETAS
Main piece



REF: DELTA 13

CONCRETE 3D WAVES COLLECTION / DELTA REFERENCE

EXAMPLES OF MODULATIONS



ALETA
Complementary piece

CYLINDER
Complementary piece

1 ALETA
Main piece

2 ALETAS
Main piece

REF: DELTA 9





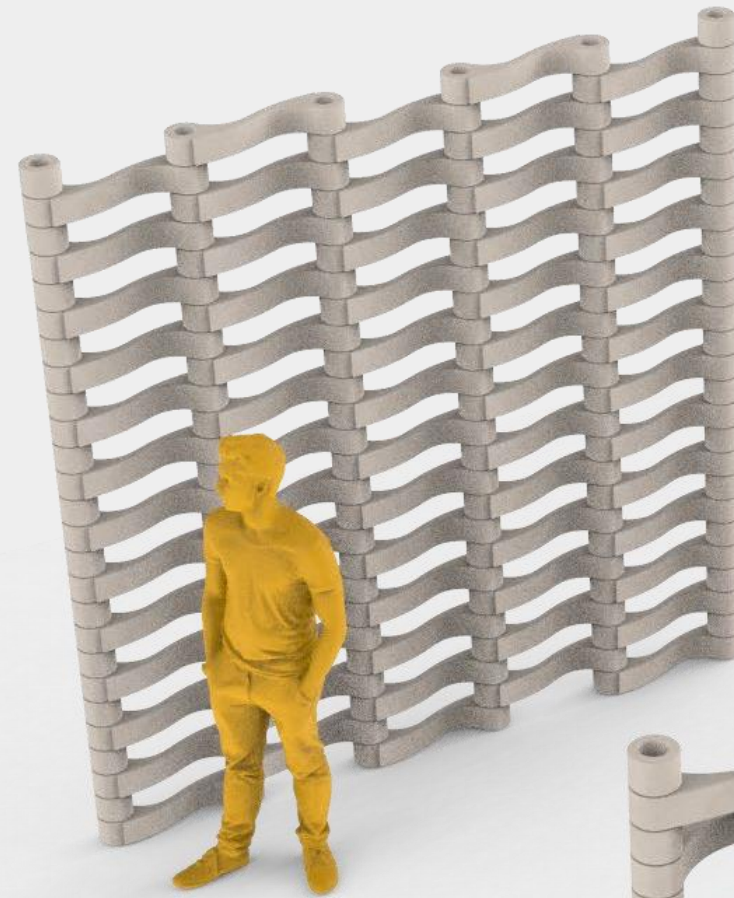
CONCRETE 3D WAVES COLLECTION

This system/product is patented in the category of national invention before the Superintendency of Industry and Commerce (SIC) in Colombia, and is registered in the international patent system (PCT). therefore it has industrial property protection.

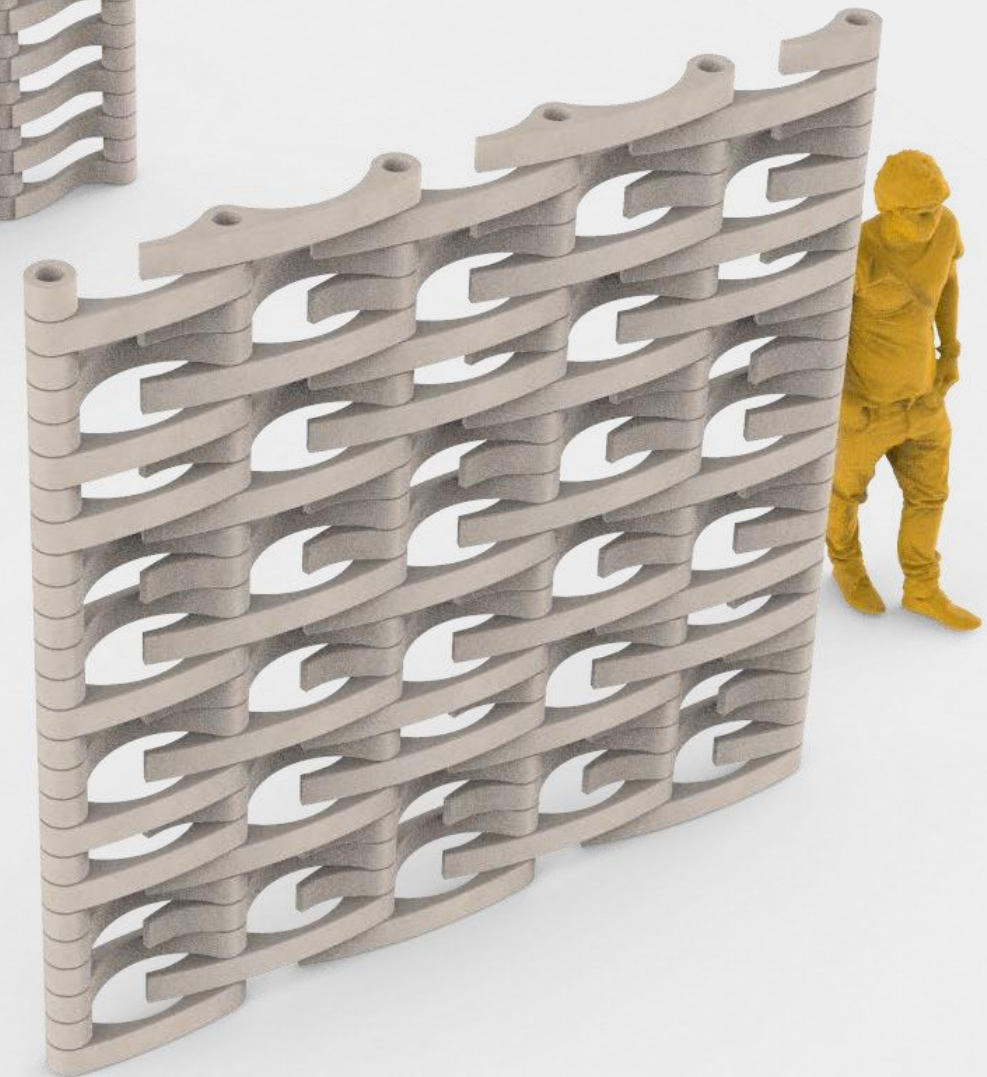
Its reproduction and/or total or partial exploitation is prohibited.

CONCRETE 3D WAVES COLLECTION

HUMAN SCALE RELATIONSHIP



GAMMA REFERENCE



DELTA REFERENCE



BETONLAB
THE BEAUTY OF CONCRETE